

## 6" - 30W Ceramic Guitar Loudspeaker

CH 6/15 - 4 Ω

Code ZJ03020

### GENERAL CHARACTERISTICS

Nominal Overall Diameter .....	165	mm
Nominal Voice Coil Diameter .....	20	mm
Magnet Weight .....	160	g
Flux Density.....	1.10	T
Weight.....	0.50	Kg

### THIELE-SMALL PARAMETERS

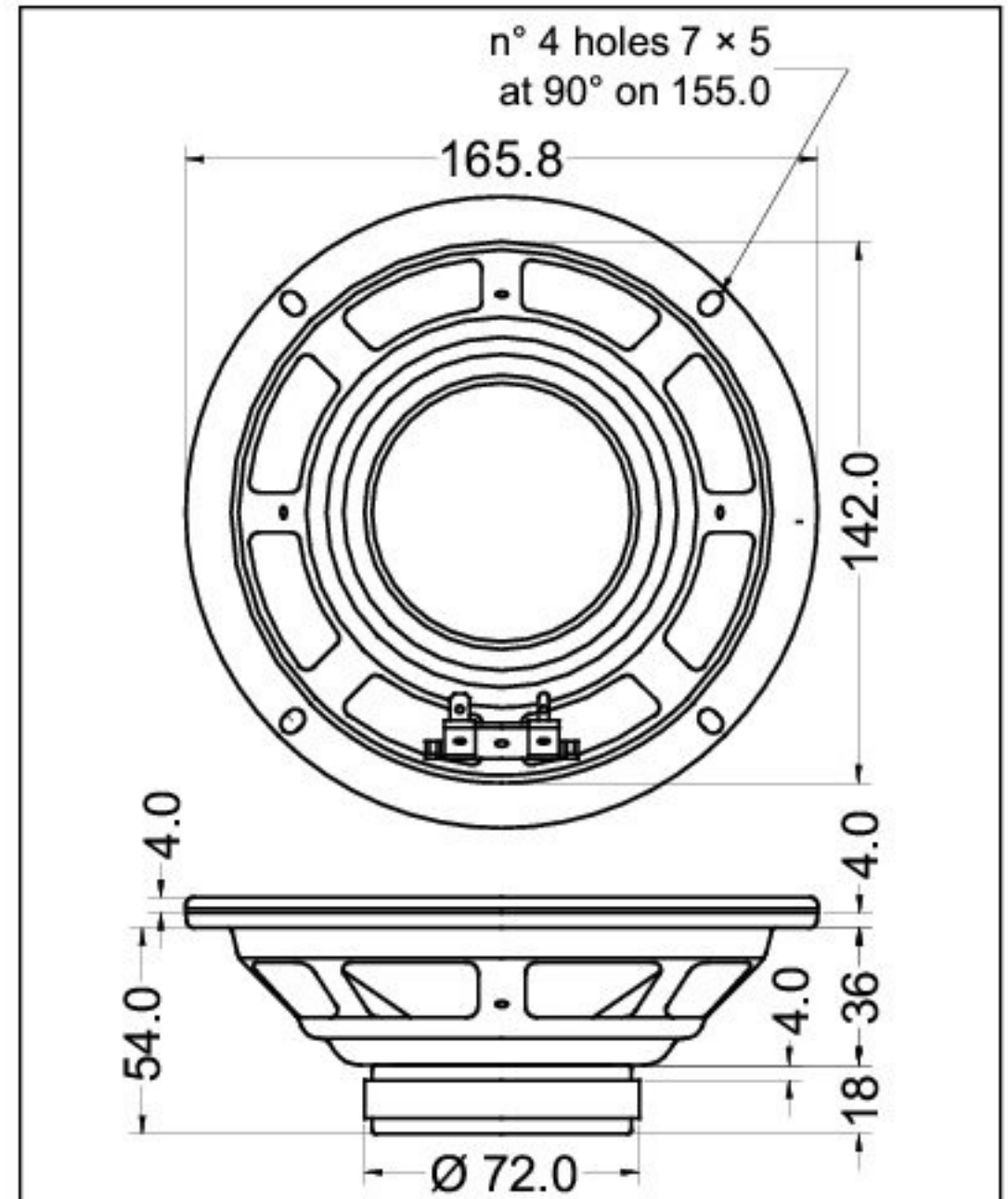
Voice Coil DC Resistance .....	$R_E$	3.00	Ω
Resonance Frequency .....	$f_s$	91.0	Hz
Mechanical Q Factor.....	$Q_{MS}$	8.06	
Electrical Q Factor.....	$Q_{ES}$	1.39	
Total Q Factor.....	$Q_{TS}$	1.19	
Mechanical Moving Mass .....	$M_{MS}$	5.5	g
Mechanical Compliance.....	$C_{MS}$	552	μm/N
Force Factor .....	$B \times l$	2.68	Wb/m
Equivalent Acoustic Volume.....	$V_{AS}$	11.7	lt.
Maximum Linear Displacement ....	$X_{MAX}$	+/-0.5	mm
Reference Efficiency .....	$\eta_0$	0.61	%
Diaphragm Area .....	$S_D$	122.7	cm <sup>2</sup>
Losses Electrical Resistance.....	$R_{ES}$	18.0	Ω
Voice Coil Inductance @ 1kHz .....	$L_E$	0.16	mH

### CONSTRUCTIVE CHARACTERISTICS

Magnet.....	Ferrite
Voice Coil Winding.....	Copper
Voice Coil Former.....	Epotex
Cone .....	Paper
Surround.....	Foam
Dust Dome .....	Solid Paper
Basket .....	Pressed Sheet Steel

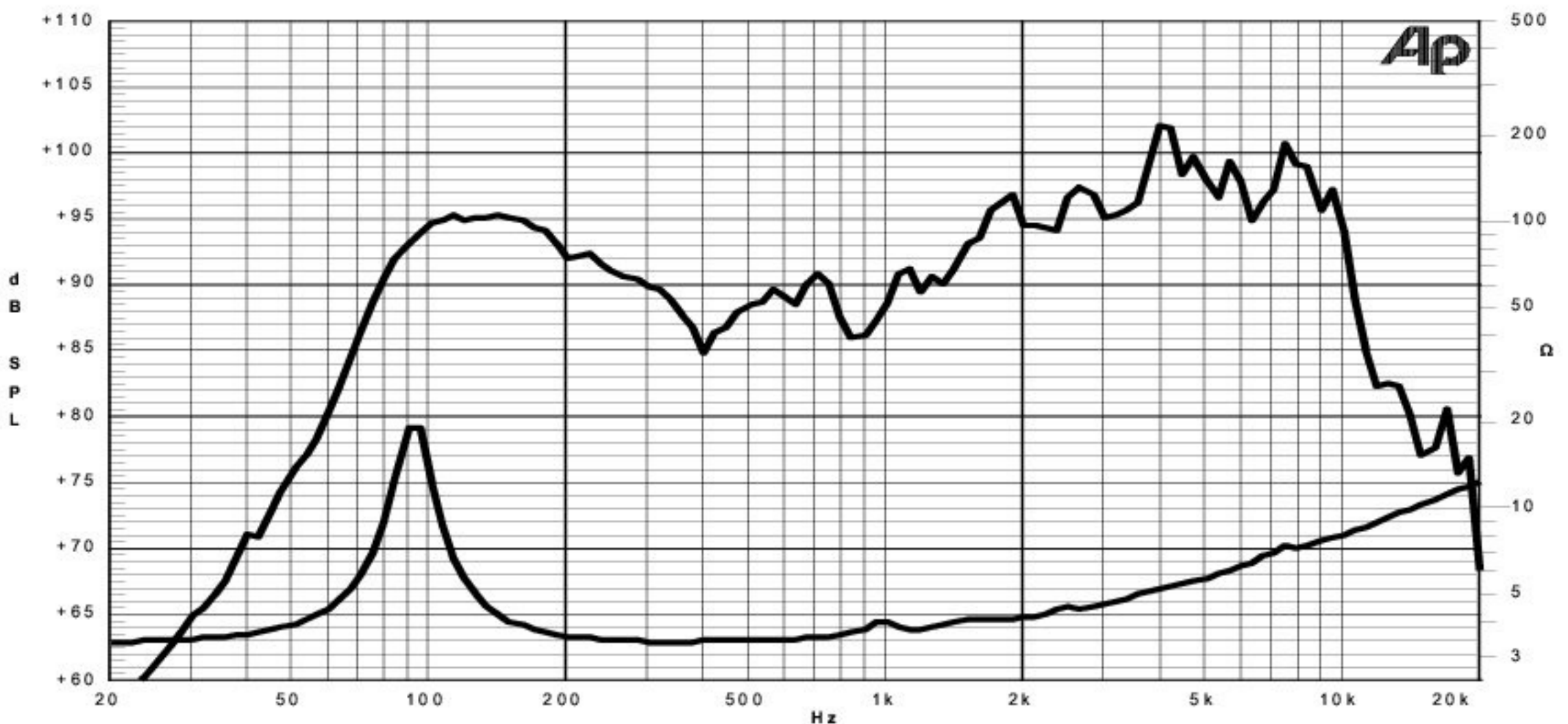
### ELECTRICAL CHARACTERISTICS

Nominal Impedance.....	4	Ω
Musical Power .....	30	W
Rated Power* .....	15	W
Sensitivity @ 1 W, 1 m .....	90.9	dB



\*rated power measured with 2 hours test with pink noise signal, 6 dB crest factor, loudspeaker mounted on enclosure  
 Thiele-Small parameters measured with LASER system

Frequency Response on IEC Baffle (DIN 45575) @ 1 W, 1 m - Impedance



Due to continuing product improvement, the features and the design are subject to change without notice.